



METAL SEAL BUTTERFLY VALVE



**TIANJIN FREYA AUTOMATION
TECHNOLOGY CO., LTD.**

Tell: 022-27901003

Mail: tjfreya@tj-bnd.com

Web: www.tj-bnd.com

Add: Industrial Park, Zhongbei Town, Xiqing District, Tianjin

**TIANJIN FREYA AUTOMATION
TECHNOLOGY CO., LTD.**

Company profile-----1/1
 Qualifications-----2/2
 Exploded views-----3/5
 Flange butterfly valve-----6/6
 Three eccentric butterfly valve-----7/9
 Two way butterfly valve-----10/11
 Damper butterfly valve-----12/13
 ANSI butterfly valve-----14/16
 ANSI butt welding butterfly valve-----17/18

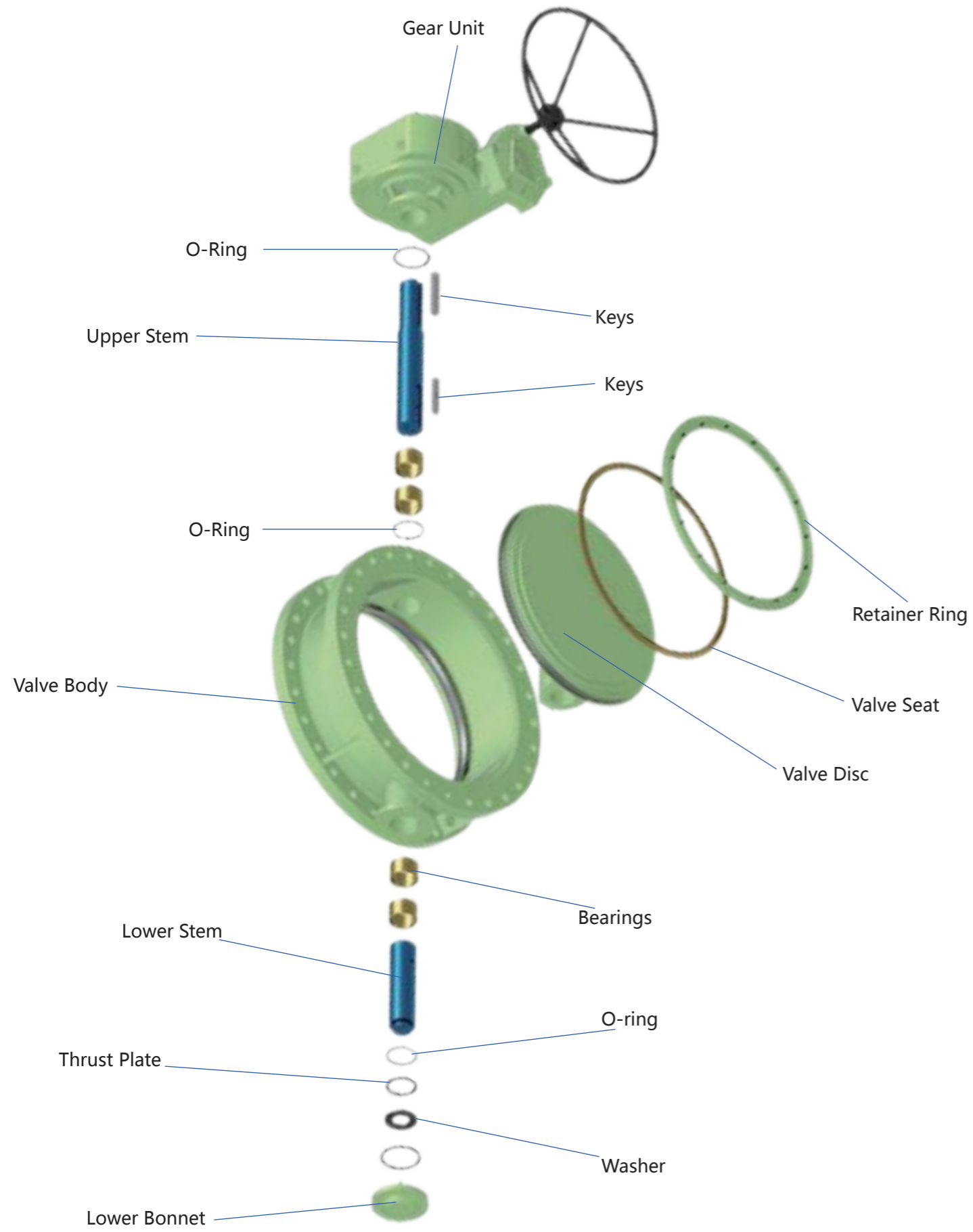
METAL SEAL BUTTERFLY VALVE

Founded in 2014, Freya specializes in fluid control products and services such as valves, actuators, electric valve actuators, and electric valves. It focuses on the process industry and has long been committed to providing services to process industries such as power, steel, building materials, and water treatment to provide professional fluid control solutions. Based on the actual working conditions, through necessary on-site surveying and technical explanations, we provide customers with safe, economical and environmental-friendly selection and design, supply in strict accordance with contract requirements and guide installation and debugging, and hand over for use if standards are met. Thanks to the trust of the vast number of users, through long-term and large-scale on-site services, and the effective accumulation of technical experience, the company has an accurate understanding of the real needs and pain points of users and the market, as well as expectations for equipment manufacturers.

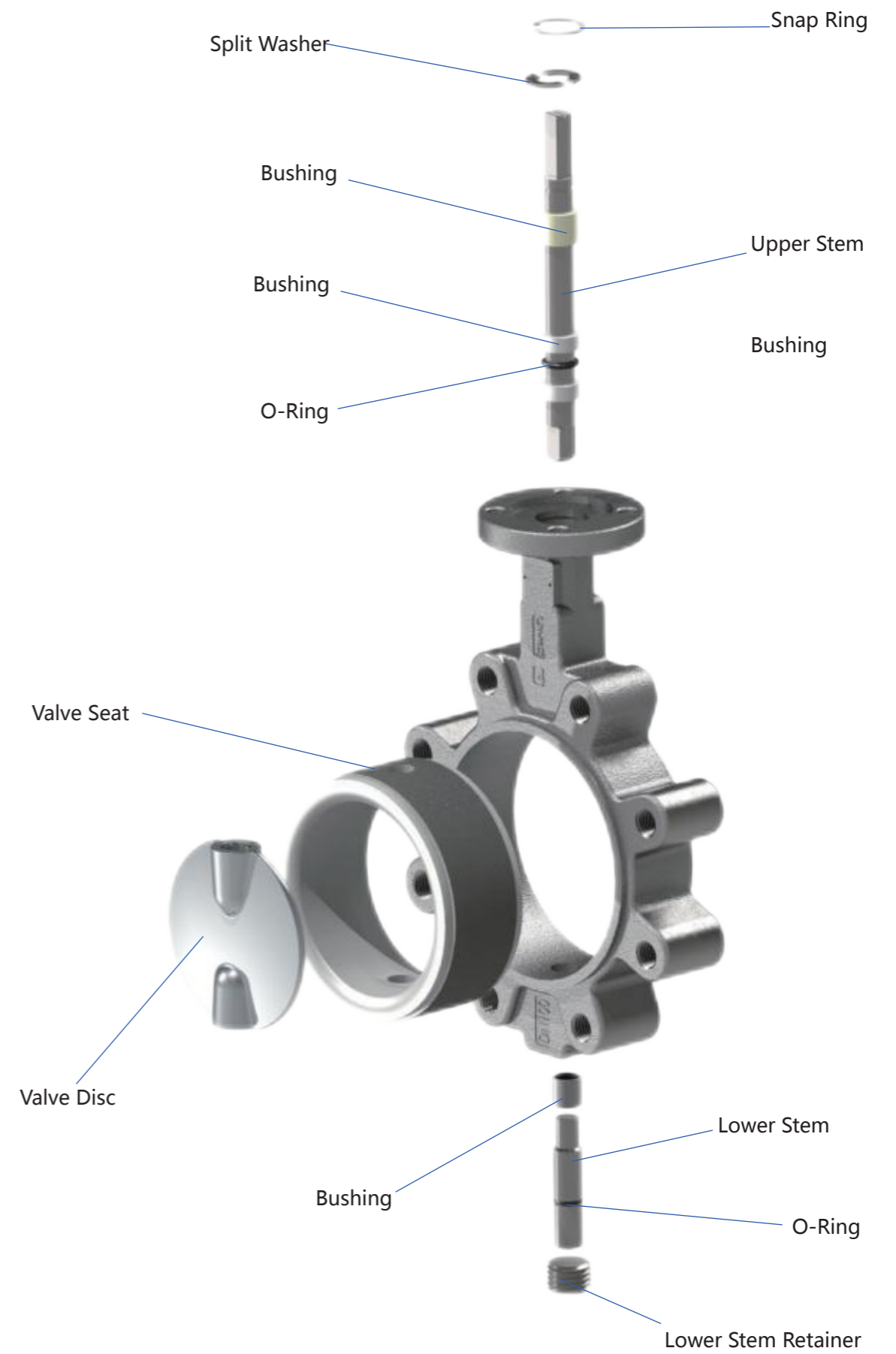
The company based on its own patent R & D and production of intelligent electric actuators, reliable, durable, easy to use, cost-effective and guaranteed service. Being close to users, providing full-process services, cover-all services, repair and maintenance value-added services, and escorting users' production are our differentiating advantages. Freya intelligent electric actuator and electric valve actuator provide a two-year warranty and lifetime free after-sales service after installation and commissioning. Technical quality and commercial credit are the two foundations on which the company relies to survive and drive the development of the company. Users feel reassured, worry-free and happy, which are the only criteria to evaluate the effectiveness of our work and demonstrate the value of our existence.

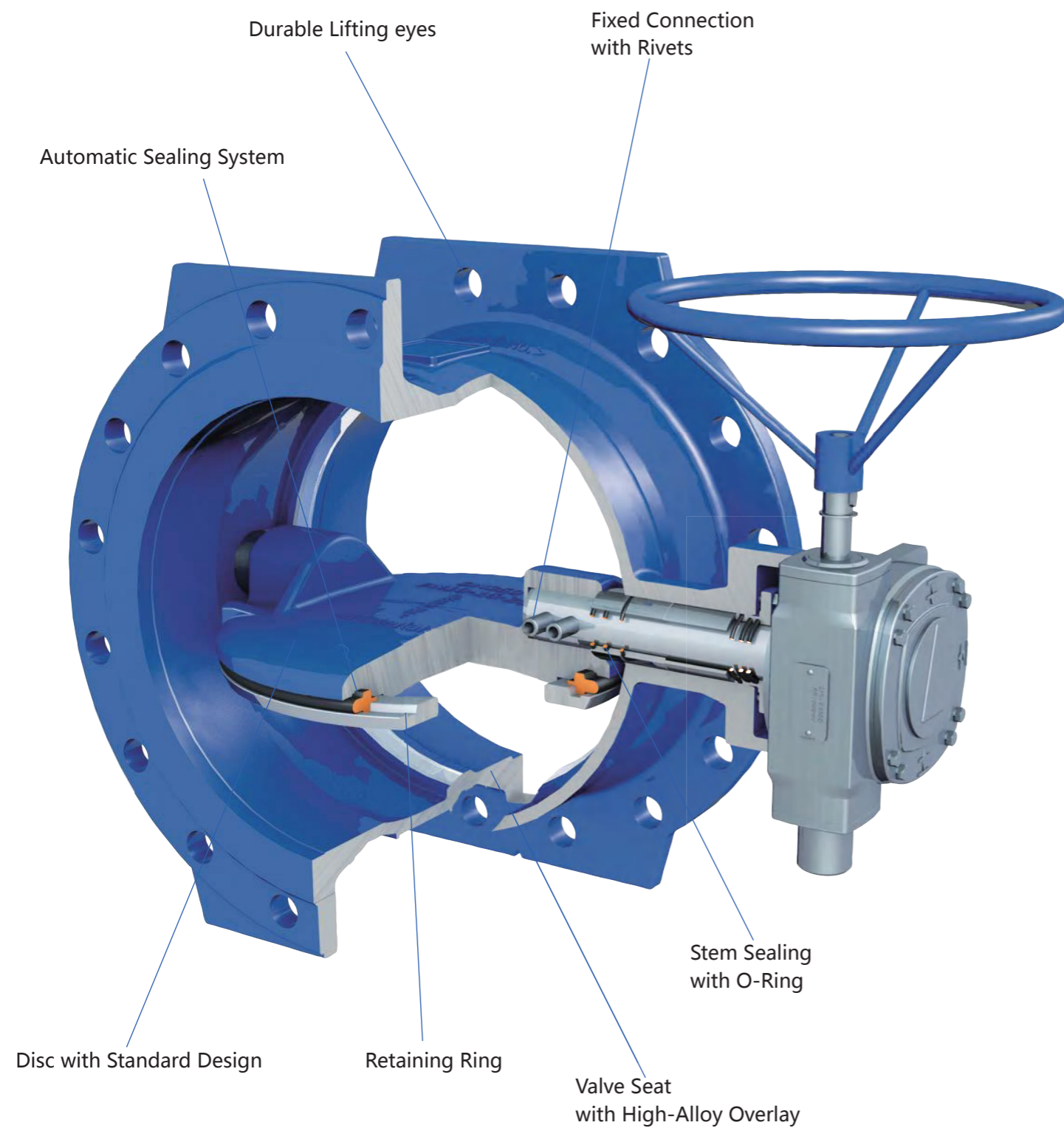


EXPLODED VIEWS OF FLANGE BUTTERFLY VALVE



EXPLODED VIEWS OF LUG BUTTERFLY VALVE





Product features

- Shaft protection: For the highest degree of corrosion protection, the stainless steel shaft is completely isolated from the medium by means of O-rings and enclosed, self-lubricating bearing bushings.
- Reliable valve seat: The wear-resistant, corrosion-resistant, impermeable valve seat with a high-precision surface treatment ensures the durability of the entire sealing system.
- Reliable sealing system: The operating pressure supports the sealing effect - regardless of the flow direction. Due to its sealing profile, there is no risk of the profiled seal being pulled out even at high gap velocities.
- Double eccentricity: The double offset position of the disc ensures high sealing forces at low operating torques. The shear stress acting on the profiled sealing ring is significantly reduced and it is completely released when the valve is in the open position, which increases its service life.

Technical data

- Nominal pressures PN10, PN16
- Nominal diameters DN50-DN4000
- Standard: Body and disc made of ductile iron, sealings made of metal, shafts made of stainless steel
- Coating: inside and outside epoxy coating

Fields of application

- Power plants
- Water supply system
- Petrochemical industry
- Dams and hydropower

Product structures

The multi-layer metal-seal butterfly valve adopts the three-dimensional eccentric principle design, and the valve seat adopts a multi-layer structure compatible with metal seal, with exquisite processing and advanced technology. This product consists of the main components such as valve body, butterfly disc, valve seat, and valve stem.

Product features

Since the butterfly valve adopts the three-eccentric principle design, the spatial motion trajectory of the sealing surface is idealized, there is no friction and interference between the sealing pairs, and the sealing materials are properly selected, so the sealing, corrosion resistance, high temperature resistance and wear resistance of the butterfly valve are reliably guaranteed. Its main features are as follows;

1. Small opening torque, flexible and convenient, labor-saving and energy-saving;
2. The three-eccentric structure makes the butterfly valve disc tighter, and its sealing performance is reliable and leak-free;
3. High pressure resistance, corrosion resistance, wear resistance, long service life, etc.

Technical data

Nominal diameter: DN50-DN4000

Nominal pressure: 1.0MPa, 1.6MPa

Testing pressure: Strength-1.5MPa, 2.4MPa

Testing pressure: Sealing- 1.1MPa, 1.76MPa

Testing pressure: Air sealing- 0.6MPa, 0.6MPa

Testing standard: GB/T13927-91

Working temperature: Carbon steel: -29~425°C, stainless steel: -40~600°C

Suitable media: Air, water, steam, gas, oil, acid, alkali, salt and weakly corrosive media, etc.

Main parts material

Body: Cast steel, ductile iron, carbon steel, stainless steel, chrome-molybdenum steel, alloy steel

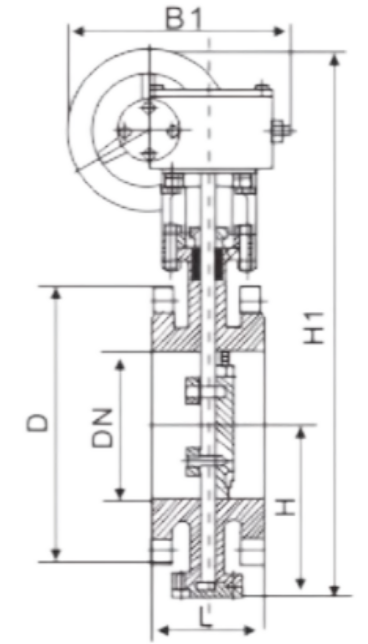
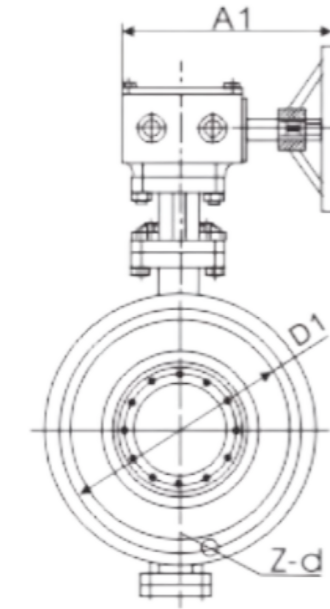
Disc: Cast steel, ductile iron, alloy steel, stainless steel, chrome-molybdenum steel

Sealing: Stainless steel and high temperature resistant stone slabs are combined into multi-layer

Stem: 2Cr13, 1Cr13 stainless steel, chrome-molybdenum steel, duplex steel

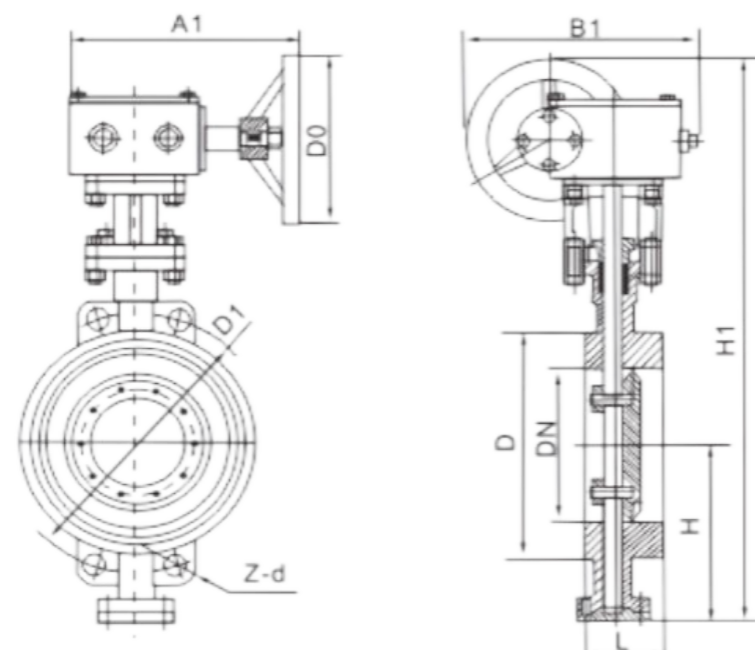
Bearing: Stainless steel

Packing: Flexible graphite



DN		L		H	H1	A1	B1	PN1.0			PN1.6			Weight Kg
mm	inch	Short	Long					D	D1	Z-d	D	D1	Z-d	
40	1.5"	106	140	107	330	180	200	150	110	4-18	150	110	4-18	17
50	2"	108	150	92	378	180	200	165	125	4-18	165	125	4-18	19
65	2.5"	112	170	101	399	180	200	185	145	4-18	185	145	4-18	22
80	3"	114	180	110	413	180	200	200	160	8-18	200	160	8-18	25
100	4"	127	190	120	445	180	200	220	180	8-18	220	180	8-18	28
125	5"	140	200	137	502	180	200	250	210	8-18	250	210	8-18	43
150	6"	140	210	155	550	270	280	285	240	8-22	285	240	8-22	50
200	8"	152	230	185	650	400	425	340	295	8-22	340	295	12-22	64
250	10"	165	250	218	735	400	425	395	350	12-22	405	355	12-26	99
300	12"	178	270	259	839	450	560	445	400	12-22	460	410	12-26	130
350	14"	190	290	294	932	450	560	505	460	16-22	520	470	16-26	188
400	16"	216	310	326	1029	535	580	565	515	16-26	280	525	16-30	270
450	18"	222	330	361	1104	535	580	615	565	20-26	640	585	20-30	350
500	20"	229	350	396	1246	535	580	670	620	20-26	715	650	20-33	375
600	24"	267	390	472	1343	570	660	780	725	20-30	840	770	20-36	560
700	28"	292	430	507	1410	750	550	895	840	24-30	910	840	24-36	610
800	32"	318	470	572	1577	750	550	1015	950	24-33	1025	950	24-39	880
900	36"	330	510	637	1792	750	550	1115	1050	28-33	1125	1050	28-39	1100
1000	40"	410	550	692	1927	900	750	1230	1160	28-36	1255	1170	28-42	1600
1200	48"	470	630	805	2250	1000	925	1455	1380	32-39	1485	1390	32-48	2150
1400	56"	530	710	865	2480	1000	925	1675	1590	36-42	1685	1590	36-48	3200
1600	64"	600	790	920	2715	1000	925	1915	1820	40-48	1930	1820	40-56	5000
1800	72"	670	870	1015	3032	1100	980	2115	2020	44-48	2130	2020	44-56	6900
2000	80"	760	950	1350	3270	1100	980	2325	2230	48-48	2345	2230	48-62	9100

THREE ECCENTRIC WAFER METAL SEAL BUTTERFLY VALVE



DN		L		H	H1	A1	B1	PN1.0		PN1.6		Weight Kg
mm	inch	Short	Long					D1	Z-d	D1	Z-d	
40	1.5"	43	43	107	330	180	200	110	4-18	110	4-18	10
50	2"	43	43	112	350	180	200	125	4-18	125	4-18	12
65	2.5"	46	46	115	370	180	200	145	4-18	145	4-18	13
80	3"	49	64	120	420	180	200	160	8-18	160	8-18	15
100	4"	56	64	138	460	180	200	180	8-18	180	8-18	17
125	5"	64	70	164	555	180	200	210	8-18	210	8-18	27
150	6"	70	76	175	780	270	280	240	8-22	240	8-22	29
200	8"	71	89	215	840	400	425	295	8-22	295	12-22	45
250	10"	76	114	243	995	400	425	350	12-22	355	12-26	69
300	12"	83	114	285	1050	450	560	400	12-22	410	12-26	86
350	14"	92	127	320	1220	450	560	460	16-22	470	16-26	122
400	16"	102	140	350	1280	535	580	515	16-26	525	16-30	141
450	18"	114	152	350	1365	535	580	565	20-26	585	20-30	191
500	20"	127	152	380	1460	535	580	620	20-26	650	20-33	260
600	24"	154	154	435	1520	570	660	725	20-30	770	20-36	380
700	28"	165	165	480	1410	750	550	840	24-30	840	24-36	450
800	32"	190	190	530	1710	750	550	950	24-33	950	24-39	650
900	36"	203	203	595	1810	750	550	1050	28-33	1050	28-39	830
1000	40"	216	216	650	1900	900	750	1160	28-36	1170	28-42	1050
1200	48"	254	254	775	2280	1000	925	1380	32-39	1390	32-48	1400
1400	56"	279	279	870	2450	1000	925	1590	36-42	1590	36-48	1900
1600	64"	318	440	1000	2730	1000	925	1820	40-48	1820	40-56	2900
1800	72"	356	490	1100	3020	1100	980	2020	44-48	2020	44-56	4000
2000	80"	406	540	1250	3270	1100	980	2230	48-48	2230	48-62	5300

TWO-WAY METAL SEAL BUTTERFLY VALVE

Product features

This butterfly valve is suitable for opening and closing or regulating the medium in high-temperature, high-pressure, fire-proof, heat-insulating pipelines. Its main features are as follows:

1. Compact structure, small size, light weight, flexible operation and easy use;
2. Adopting eccentric metal seal structure, its sealing performance is reliable and reaches zero leakage;
3. This valve has no flange, which brings great convenience and beauty to the pipeline;
4. It has the features of high temperature resistance, high pressure resistance, corrosion resistance and wear resistance.

Technical data

Nominal diameter: DN50-DN2000

Nominal pressure: 1.0MPa, 1.6MPa

Testing pressure: Strength-1.5MPa, 2.4MPa

Testing pressure: Sealing- 1.1MPa, 1.76MPa

Testing pressure: Air sealing- 0.6MPa, 0.6MPa

Working temperature: Carbon steel: -29~425°C, stainless steel: -40~600°C

Suitable media: Water, steam, oil and acid corrosive media, etc.

Standards:

Welding: GB12224, ANSI B16.25, DIN2559

Face to face: GB/T12221-1989, API 609

Testing and checking: GB/T13927-1992, API 598

Main parts material

Body: Cast steel, ductile iron, carbon steel, stainless steel, chrome-molybdenum steel, alloy steel

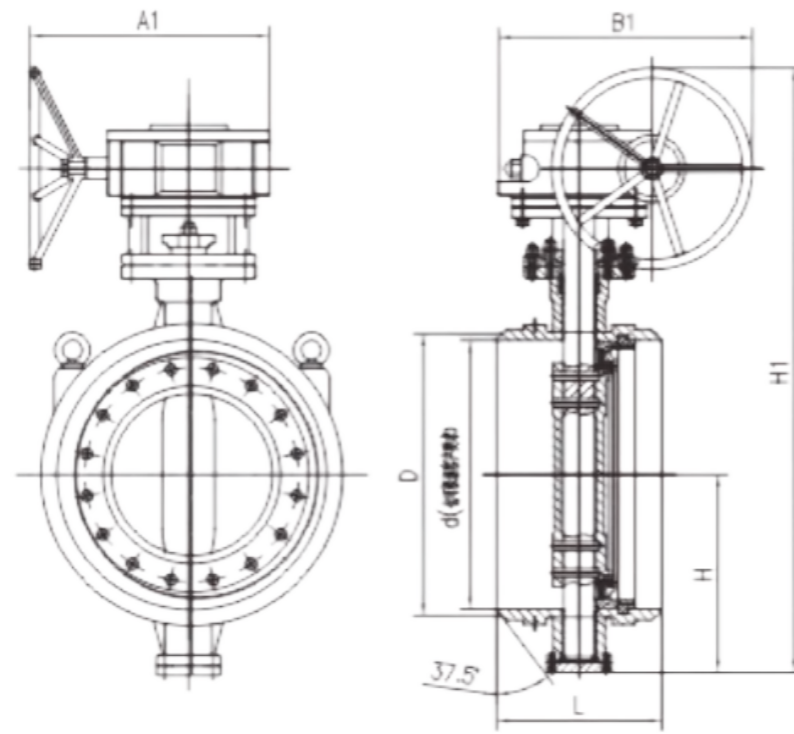
Disc: Cast steel, ductile iron, alloy steel, stainless steel, chrome-molybdenum steel

Sealing: Stainless steel and high temperature resistant stone slabs are combined into multi-layer

Stem: 2Cr13, 1Cr13 stainless steel, chrome-molybdenum steel, duplex steel

Bearing: Stainless steel

Packing: Flexible graphite



DN		L	D	d	H	H1	A	B	Weight Kg
mm	inch								
600	24"	390	636	602	499	1280	570	660	465
700	28"	430	726	692	566	1480	750	550	680
800	32"	470	826	826	632	1608	750	550	810
900	36"	510	926	926	693	1857	750	550	860
1000	40"	550	1028	1028	757	2038	900	750	1625
1200	48"	630	1228	1228	851	2237	1000	925	1770
1400	56"	710	1428	1428	876	2411	1000	925	2425
1600	64"	790	1628	1628	1095	2756	1000	925	3560
1800	72"	870	1828	1828	1214	3093	1100	980	4545
2000	80"	950	2028	2028	1332	3355	1100	980	6230

Product features

The damper butterfly valve is made of the same material as the valve body to form a sealing ring. Its applicable temperature depends on the material selection of the valve body. The nominal pressure is $\leq 0.6\text{MPa}$. It is generally suitable for industrial, metallurgical, environmental protection and other pipelines for ventilation and regulating medium flow. Its main features are:

1. Novel and reasonable design, unique structure, light weight, fast opening and closing.
2. Small operating torque, easy operation, labor-saving and dexterous.
3. Adopting suitable materials to meet low, medium and high medium temperatures and corrosive media, etc.

Technical data

Nominal diameter: DN50-DN2000

Nominal pressure: 0.05MPa, 0.25MPa, 0.6MPa

Testing pressure: Strength-0.075MPa, 0.375MPa, 0.9MPa

Testing pressure: Sealing $\leq 1.5\%$ leakage

Suitable media: Coal gas, dusty gas, flue gas, etc.

Standards:

Design: GB/T12238-1989, JB/T8692-1998

Flange ends: GB/T911.5.1-2000

Face to face: GB/T12221-1989

Testing and checking: GB/T13927-1992, JB/T9092-1999

Main parts material

Body: Q235, cast steel, stainless steel, chrome-nickel-molybdenum-titanium steel, chrome-molybdenum-titanium steel and other special materials

Disc: Q235, cast steel, stainless steel, chrome-nickel-molybdenum-titanium steel, chrome-molybdenum-titanium steel and other special materials

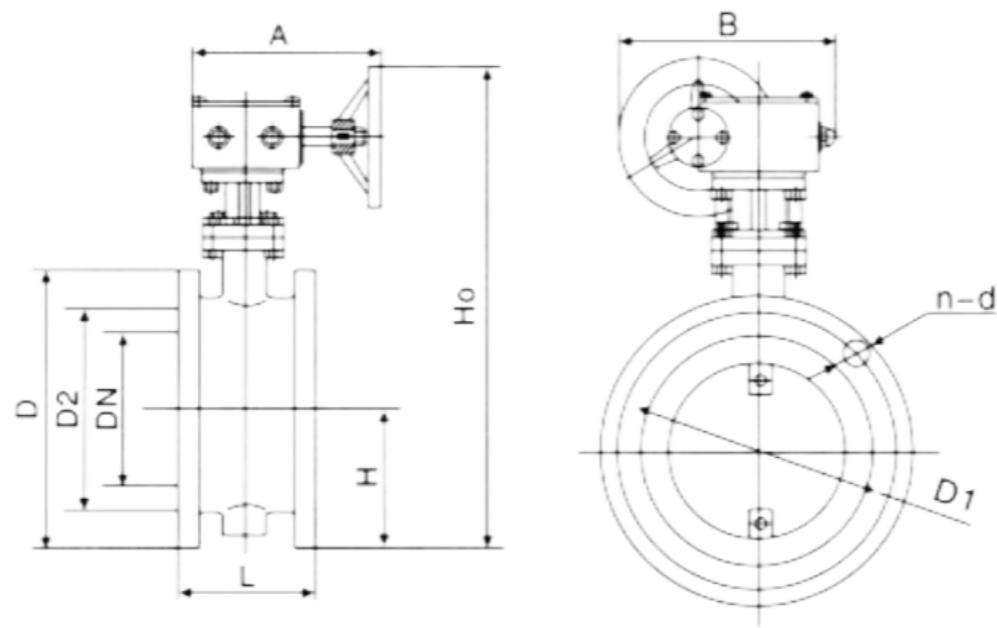
Sealing: Same as valve body

Stem: Carbon steel, 2Cr13, stainless steel, chrome-molybdenum-titanium steel

Bearing: Stainless steel

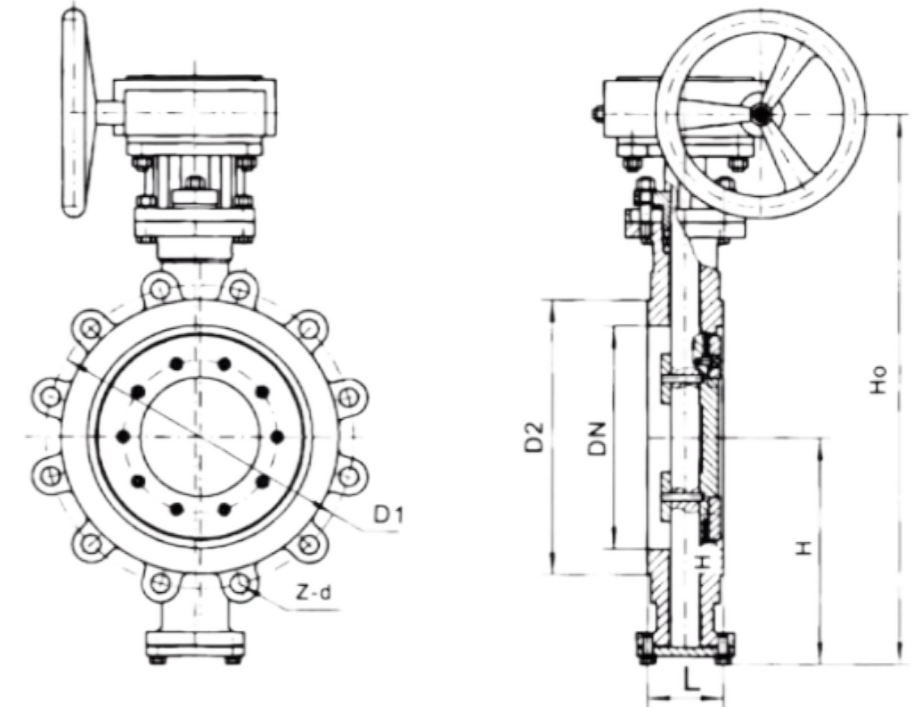
Packing: Fluoroplastic, flexible graphite

DAMPER BUTTERFLY VALVE



DN		L		H	H0	A	B	0.05MPa, 0.25MPa				0.6MPa			
mm	inch	Short	Long					D	D1	D2	n-d	D	D1	D2	n-d
50	2"	108	108	70	286	125	193	140	110	88	4-18	140	110	88	4-14
65	2.5"	112	112	80	306	125	193	160	130	108	4-18	160	130	108	4-14
80	3"	114	114	95	334	125	193	190	150	124	4-18	190	150	124	4-18
100	4"	120	127	105	354	125	193	210	170	144	4-18	210	170	144	4-18
125	5"	120	140	120	384	125	193	240	200	174	8-18	240	200	174	8-18
150	6"	140	140	132	409	125	193	265	225	199	8-18	265	225	199	8-18
200	8"	140	152	160	593	165	193	320	280	254	8-18	320	280	254	8-18
250	10"	140	165	187	650	165	283	375	335	309	12-18	375	335	309	12-18
300	12"	170	178	220	715	165	283	440	395	363	12-22	440	395	363	12-22
350	14"	170	190	245	814	175	334	490	445	413	12-22	490	445	413	12-22
400	16"	190	216	270	863	175	334	540	495	463	16-22	540	495	463	16-22
450	18"	190	222	297	918	175	334	595	550	518	16-22	595	550	518	16-22
500	20"	190	229	322	1016	210	425	645	600	568	20-22	645	600	568	20-22
600	24"	210	267	377	1128	210	425	755	705	667	20-26	755	705	667	20-26
700	28"	210	292	430	1233	210	425	860	810	772	24-26	860	810	772	24-26
800	32"	210	318	487	1344	210	425	975	920	878	24-30	975	920	878	24-30
900	36"	250	330	537	1560	320	620	1075	1020	978	24-30	1075	1020	978	24-30
1000	40"	250	410	587	1660	320	620	1175	1120	1078	28-30	1175	1120	1078	28-30
1200	48"	250	470	687	1890	320	620	1375	1320	1280	32-30	1405	1340	1295	32-33
1400	56"	300	530	760	2670	575	714	1575	1520	1480	36-30	1630	1560	1510	36-36
1600	64"	300	600	895	2810	575	714	1790	1730	1690	40-30	1830	1760	1710	40-36
1800	72"	300	670	995	3020	575	714	1990	1930	1890	44-30	2045	1970	1918	44-39
2000	80"	300	760	1095	3220	656	810	2190	2130	2090	48-30	2265	2180	2125	48-42

ANSI BUTTERFLY VALVE



ANSI 815L dimensions

DN		L		H		H0		D1		D2		M	Z-d	Weight Kg
inch	mm	inch	mm	inch	mm	inch	mm	inch	mm	inch	mm			
2"	50	1.69	43	4.33	110	13.58	345	4.75	120.5	3.62	92	M16	4-18	11
2.5"	65	1.81	46	4.64	118	14.25	362	5.50	139.5	4.13	105	M16	4-18	12
3"	80	1.88	48	4.92	125	14.96	380	6.00	152.5	5.00	127	M16	4-18	13
4"	100	2.12	54	5.70	145	16.34	415	7.50	190.5	6.19	157	M16	8-18	15
5"	125	2.19	56	6.50	165	17.91	455	8.50	216.0	7.32	186	M20	8-22	18
6"	150	2.25	57	6.89	175	21.45	545	9.50	241.5	8.50	216	M20	8-22	28
8"	200	2.50	64	8.26	210	24.21	615	11.75	298.5	10.62	270	M20	12-26	36
10"	250	2.81	71	9.84	250	27.36	695	14.25	362.0	12.75	324	M24	12-26	53
12"	300	3.19	81	11.24	285	32.78	830	17.00	432.0	15.00	381	M24	12-26	74
14"	350	3.62	92	12.60	320	35.43	900	18.75	476.0	16.25	413	M27	12-26	110
16"	400	4.00	102	13.98	355	38.58	980	21.25	540.0	18.50	470	M27	16-26	138
18"	450	4.50	114	14.96	380	40.55	1030	22.75	578.0	21.00	533	M30	16-30	180
20"	500	5.00	127	16.34	415	43.70	1110	25.00	635.0	23.00	584	M30	20-30	196
24"	600	6.06	154	18.70	475	51.37	1305	29.50	749.5	27.25	692	M33	20-33	400
26"	650	6.50	165	20.85	530	54.72	1390	29.31	745	28	711	M20	20-36	420
28"	700	6.50	165	22.04	560	58.07	1475	31.31	795	30	762	M20	24-36	435
30"	750	6.50	165	22.38	580	60.03	1525	33.31	845	32	813	M20	24-39	482
32"	800	7.50	190	24.80	630	62.40	1585	35.44	900	34	864	M20	28-39	650
34"	850	7.88	200	25.60	650	63.00	1600	37.69	957	36.25	921	M24	28-42	690
36"	900	7.88	200	26.77	680	69.48	1765	39.75	1010	38.25	972	M24	32-48	800
38"	950	7.88	200	27.95	710	72.48	1850	42.12	1070	40.25	1022	M27	36-48	1000
40"	1000	8.50	216	29.53	750	76.00	1930	44.12	1121	42.50	1080	M27	40-56	1200

ANSI BUTTERFLY VALVE

ANSI 830W dimensions

DN		L		L1		H		H0		D		D1		D2		M	Z-d	Weight Kg	
inch	mm	inch	mm	inch	mm	inch	mm	inch	mm	inch	mm	inch	mm	inch	mm				
2"	50	1.69	43	4.25	108	4.33	110	13.58	345	6.50	165	5.00	127	3.62	92	M16	8-18	9	20
2.5"	65	1.81	46	4.50	112	4.64	118	14.25	362	7.50	190	5.86	149	4.13	105	M20	8-22	10	25
3"	80	1.88	48	4.50	180	4.92	125	14.96	380	8.25	210	6.63	168	5.00	127	M20	8-22	12	29
4"	100	2.12	54	5.00	190	5.70	145	16.34	415	10.00	254	7.87	200	6.19	157	M20	8-22	13	35
5"	125	2.19	56	5.50	140	6.50	165	17.91	455	11.00	279	9.25	235	7.32	186	M20	8-22	18	40
6"	150	2.31	59	5.50	210	6.89	175	21.45	545	12.50	318	10.63	270	8.50	216	M20	12-22	28	81
8"	200	2.88	73	5.90	230	8.26	210	24.21	645	15.00	381	13.00	330	10.62	270	M24	12-26	37	94
10"	250	3.25	83	6.30	250	9.84	250	27.36	695	17.50	445	15.24	387	12.75	324	M27	16-30	56	158
12"	300	3.62	92	7.00	270	11.24	285	32.78	830	20.50	521	17.76	451	15.00	381	M30	16-33	79	183
14"	350	4.62	117	7.50	290	12.60	320	35.43	900	23.00	584	20.24	514	16.25	413	M30	20-33	116	239
16"	400	5.25	133	8.50	310	13.98	355	38.58	980	25.50	648	22.50	571	18.50	470	M33	20-36	146	302
18"	450	5.88	149	8.74	330	14.96	380	40.55	1030	28.00	711	24.75	628	21.00	533	M33	24-36	193	346
20"	500	6.25	159	9.00	350	16.34	415	43.70	1110	30.50	775	27.00	686	23.00	584	M33	24-36	209	434
22"	550	7.12	181	10.50	367	17.50	445	46.50	1180	33.00	838	29.25	743	25.25	641	M39	24-42	320	550
24"	600	7.12	181	10.50	390	18.70	475	51.37	1305	36.00	914	32.00	813	27.25	692	M39	24-42	433	638
26"	650	8.25	210	11.50	410	20.00	510	54.00	1370	34.12	867	31.62	803	29	737	M33	32-36	450	650
28"	700	9.01	229	11.50	430	22.04	560	58.07	1475	36.25	921	33.75	857	31	787	M33	36-36	498	698
30"	750	9.01	229	12.50	450	22.38	580	60.03	1525	39	991	36.25	921	33.25	845	M36	36-39	523	788
32"	800	9.48	241	12.50	470	25.59	650	64.37	1635	41.5	1054	38.5	978	35.5	902	M39	32-42	588	988
34"	850	9.50	241	13.00	330	26.00	650	66.00	1675	43.62	1108	40.62	1032	37.5	953	M39	36-42	750	1050
36"	900	9.48	241	13.00	510	26.77	680	69.48	1765	46.12	1172	42.88	1039	39.75	1010	M42	32-45	838	1146
38"	950	11.80	300	16.15	530	28.50	725	72.00	1830	48.12	1222	44.88	1140	41.75	1060	M42	36-45	1200	1450
40"	1000	11.80	300	16.15	550	31.00	785	78.00	1980	50.12	1273	46.88	1191	43.88	1115	M42	40-45	1600	2000

ANSI BUTTERFLY VALVE

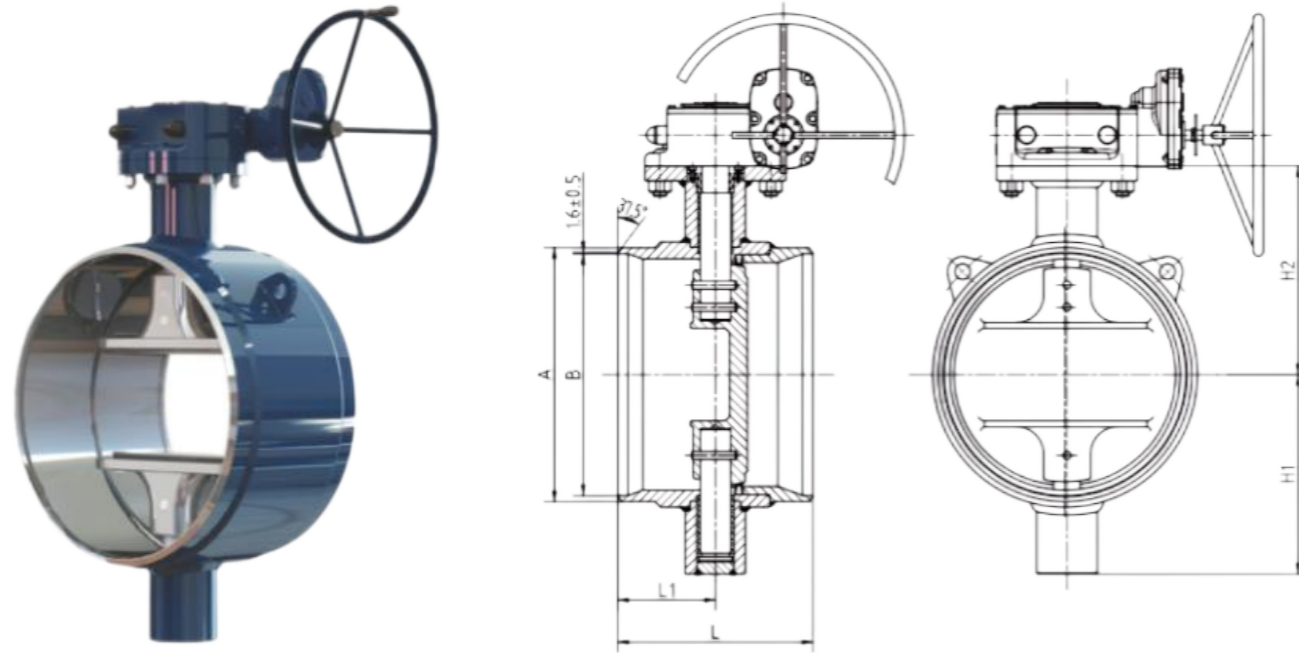
ANSI 830L dimensions

DN		L		H		H0		D1		D2		M	Z-d	Weight Kg
inch	mm	inch	mm	inch	mm	inch	mm	inch	mm	inch	mm			
2"-5" Same as the corresponding data of wafer type in the table														
6"	150	2.31	59	6.89	175	21.45	545	10.63	270	8.50	216	M20	12-22	29
8"	200	2.88	73	8.26	210	24.21	645	13.00	330	10.62	270	M24	12-26	38
10"	250	3.25	83	9.84	250	27.36	695	15.24	387	12.75	324	M27	16-30	58
12"	300	3.62	92	11.24	285	32.78	830	17.76	451	15.00	381	M30	16-33	81
14"	350	4.62	117	12.60	320	35.43	900	20.24	514	16.25	413	M30	12-26	119
16"	400	5.25	133	13.98	355	38.58	980	22.50	571	18.50	470	M33	16-26	149
18"	450	5.88	149	14.96	380	40.55	1030	24.75	628	21.00	533	M33	16-30	198
20"	500	6.25	159	16.34	415	43.70	1110	27.00	686	23.00	584	M33	20-30	215
22"	550	7.12	181	17.50	445	46.50	1180	29.25	743	25.25	641	M39	20-30	350
24"	600	7.12	181	18.70	475	51.37	1305	32.00	813	27.25	692	M39	20-33	436
26"	650	8.25	210	20.00	510	54.00	1370	31.62	803	29	737	M33	20-36	500
28"	700	9.01	229	22.04	560	58.07	1475	33.75	857	31	787	M33	24-36	498
30"	750	9.01	229	22.38	580	60.03	1525	36.25	921	33.25	845	M36	24-39	528
32"	800	9.48	241	25.59	650	62.37	1635	38.5	978	35.5	902	M39	28-39	588
34"	850	9.50	241	26.00	650	66.00	1675	40.62	1032	37.5	953	M39	28-42	850
36"	900	9.48	241	26.77	680	69.48	1765	42.88	1039	39.75	1010	M42	32-48	843
38"	950	11.80	300	28.5	725	72.00	1830	44.88	1140	41.75	1060	M42	36-48	1300
40"	1000	11.80	300	31.0	785	78.00	1980	46.88	1191	43.88	1115	M42	40-56	1800

ANSI BUTT WELDING BUTTERFLY VALVE

Technical data

Valve body: Carbon steel, EN10028-3 P355NL1 (1.0566)
 Valve disc: Stainless steel, EN GX5CrNiMo19-11-2 (1.4408)
 Seal ring: Alloy steel, Incoloy 825
 Valve stem: Stainless steel, 17-4PH
 Bushing: ASTM B148 C95800 + graphite
 Stem sealing: Fluororubber (VITON) O-ring
 Pressure: ≤ 2.5 MPa
 Temperature: -40~200°C
 Application: Heating pipeline

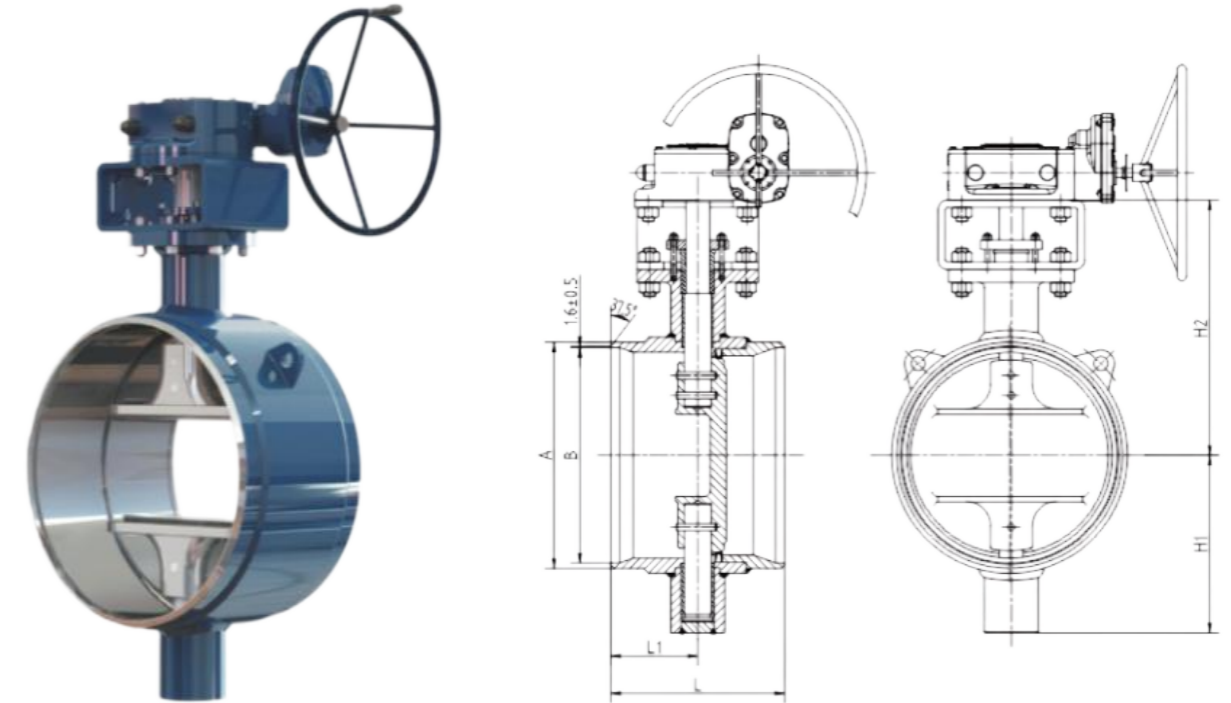


NPS	L	L1	A	B	H1	H2	KV
12"	270	120	325	309	255	280	6300
14"	290	140	377	360	296	310	7400
16"	310	150	426	408	333	350	9800
18"	330	160	480	562	355	380	12100
20"	350	170	530	510	382	410	15600
24"	390	195	630	606	476	487	22700
28"	430	215	720	692	520	580	31300
32"	470	233	820	788	615	635	40700
36"	510	255	920	884	670	670	46100
40"	550	275	1020	980	720	730	56900
48"	630	315	1220	1160	770	895	65000
56"	710	335	1420	1376	925	990	101000

ANSI BUTT WELDING BUTTERFLY VALVE

Technical data

Valve body: Carbon steel, EN10028-3 P355NL1 (1.0566)
 Valve disc: Stainless steel, EN GX5CrNiMo19-11-2 (1.4408)
 Seal ring: Alloy steel, Incoloy 825
 Valve stem: Stainless steel, 17-4PH
 Bushing: ASTM B148 C95800 + graphite
 Stem sealing: Flexible graphite
 Pressure: ≤ 2.5 MPa
 Temperature: -40~300°C
 Application: High temperature steam pipelines or special working conditions



NPS	L	L1	A	B	H1	H2	KV
12"	270	120	325	309	255	380	6300
14"	290	140	377	360	296	420	7400
16"	310	150	426	408	333	460	9800
18"	330	160	480	562	355	490	12100
20"	350	170	530	510	382	545	15600
24"	390	195	630	606	476	622	22700
28"	430	215	720	692	520	730	31300
32"	470	233	820	788	615	785	40700
36"	510	255	920	884	670	830	46100
40"	550	275	1020	980	720	920	56900
48"	630	315	1220	1160	770	1085	65000
56"	710	335	1420	1376	925	1200	101000